

	GA-SG-500-01-E Version 1.1A Stand 01.03.2005	Instructions of use for Oszillating Plastersaw SG-500-01	
-----------------------------------------------------------------------------------	----------------------------------------------------	-------------------------------------------------------------------------------------------	-------------------------------------------------------------------------------------

Content

Validity	1
Certificate of compliance	1
Purpose of use	2
Inspection	2
First use	2
Starting the machine	2
Changing saw blade	2
Saw blades	2
Safety Instructions	2
Scope	2
Opening of bandages	2
Special instructions	2
Additional Tips	2
Troubleshooting	2
Care	2
Maintenance	2
Guarantie:	3
Technical data	3
Detail drawing	4

Validity

These instructions are valid for all SG-500-01 Plaster Saws and accessoires, sold by SCHREIBER Instruments.

Certificate of compliance

Manufacturer's name and address:

SCHREIBER GmbH
 Chirurgische Instrumente
 Unterer Damm 15
 D-78567 Fridingen

Product name:

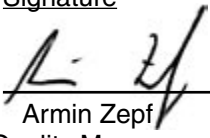
SG-500-01, oscillating one-hand plaster saw and accessoires (saw blades) in accordance to the valid catalogue and price-list.

The Schreiber GmbH confirms herewith in sole responsibility, that the above mentioned products comply with the requirements according to annex I of the council directive 93/42/EEC and EN 60601-1-2. These products are permitted to carry the CE-mark

We have established a certified quality management system according to DIN/EN/ISO 13485:2003



Signature



Armin Zepf
 Quality Manager

With purchasing this SCHREIBER device you have decided to use a high quality product. Proper function and safety are only guaranteed for a long time, if the following points are strictly observed.

Purpose of use

Cutting of plaster and synthetic bandages. The safety rules of MDD (medical device directive) and the national law for safe devices (Arbeitsmittel-Gerätesicherheitsgesetz) are valid.

Inspection

SCHREIBER oscillating plaster saws must be inspected for damages or faults immediately after transportation. Claims for compensation are only possible, if shipper or dealer are informed immediately.



First use

SCHREIBER oscillating plaster saws must not be used, before these instructions are worked through.

- For use and maintenance the valid (national) laws for safety and maintenance must be observed.
- make sure, that the voltage on the machine is similar to your socket.
- Check cables and extensions regularly.
- do not screw or rivet external labels on the body of the machine. This may cause electrical danger.

Starting the machine

- Make sure, that the plug is connected to the socket properly.
- Plaster saw is equipped with an electronic speed control button. The optimal speed must be adjusted, depending on the sawblade and use. Speed can be adjusted by turning the button (2) (pre-selection= 4).
- Turn switch (1) forwards to "ON"-position for turning on and backwards for turning off.

Changing saw blade

-unplug cable to prevent unintentional turning on.

-Untighten locking screw (4) with the enclosed hexagonal key.

-remove saw blade (3)
-clean thread and bearing surface
-insert new saw blade and center on the shaft.

-screw down locking screw by hand and tighten with hexagonal key (6-7 Nm)

Make sure, that the shaft is not turned during untightening and tightening the screw. Turning the excentric axis inside the machine may damage the transmission.

Saw blades

Attention: blunt saw blades must be changed immediately. Hot saw blades may burn the patients skin and overload the machine. Available are saw blades for plaster bandages (SG-501-02) and synthetic bandages (SG-501-04).

Safety Instructions

- Only use original spare parts.
- Improper use may cause overheating and damage of the machine.
- Never bring the machine in contact with water or other solutions.
- Maschine is not explosion protected. Keep away from flammable liquid or gas.

Scope

Generally it is not recommended to misuse the saw for medical or other purposes, that means the machine must only be used as saw for plaster or synthetic bandages. It is not suitable for surgical operations. The patient must not have direct contact to the sawblade.

Opening of bandages

ATTENTION: Unpadded bandages must be opened with special care, because stucked skin might be burned! Place the saw with the fixed saw blade on the bandage with slightly pressure.

The thumb can serve as guide and depth gauge and prevents abruptly penetration into the bandage. As long as the saw blade is cutting, there is a resistance, that decreases, when the saw blade goes through the bandage. Then the saw must be lifted without being taken out of the groove and

mooved about 15 mm into cutting direction. Repeat these steps, until the complete bandage is opened by several linear cuts.

Special instructions

- Bandages with metal inserts should not be opened with this saw..
- Avoid permanent friction on the soft furnishing (heat).

Additional Tips

The cutting of unpadded bandages should be avoided as far as possible (see "opening of bandages"). If a close bandage is necessary, it is useful to integrate a gaze or cotton stripe on the patients skin and mark the position on the bandage with a marker. Later the bandage can be opened along the line.

After surgical operations, the position of the wound should also be marked on the bandage, so it is possible to open a window for wound inspection, extraction of wires or incisions.

Troubleshooting

REPAIR OF THE MACHINE MUST BE MADE BY EXPERTS ONLY!

If the saw does not work::

- If the coals are use up on 7 mm, they must be replaced by an expert. .
- Check the cable for damages
- Check the fuse.

If the saw is too loud:

Turn off and send to the manufacturer for inspection.

Care

The machine does not need special service, but it should be cleaned with a moist duster regularly. The saw must not be immersed into liquids or rinsed with water. Take care, that no plaster debris is disturbing the oscillating shaft or the on/off switch. Keep the airing grids free of plaster debris and make sure that the cool air can circulate properly.

The saw should be cleaned and checked all 6 months, depending on use and duration.

Maintenance

Electrical devices must only be checked, repaired and maintained by experts. Always unplug the machine, when it is not used. Blunt saw blades



GA-SG-500-01-E
Version 1.1A
Stand 01.03.2005

Instructions of use for Oszillating Plastersaw SG-500-01

 **SCHREIBER**[®] INSTRUMENTE

must be removed, to avoid overheating of the machine. Saw must be stored under dry conditions. Device must not be disassembled. There are no components inside, that can be repaired by the user.

Guarantie:

We give 1 year guaranty on this machine and accessoires on material and manufacturing faults. Improper use, repair by third parties and modifications void guaranty and CE-marking.

 **SCHREIBER**[®] INSTRUMENTE

 **SCHREIBER**[®] INSTRUMENTE

 **SCHREIBER**[®] INSTRUMENTE

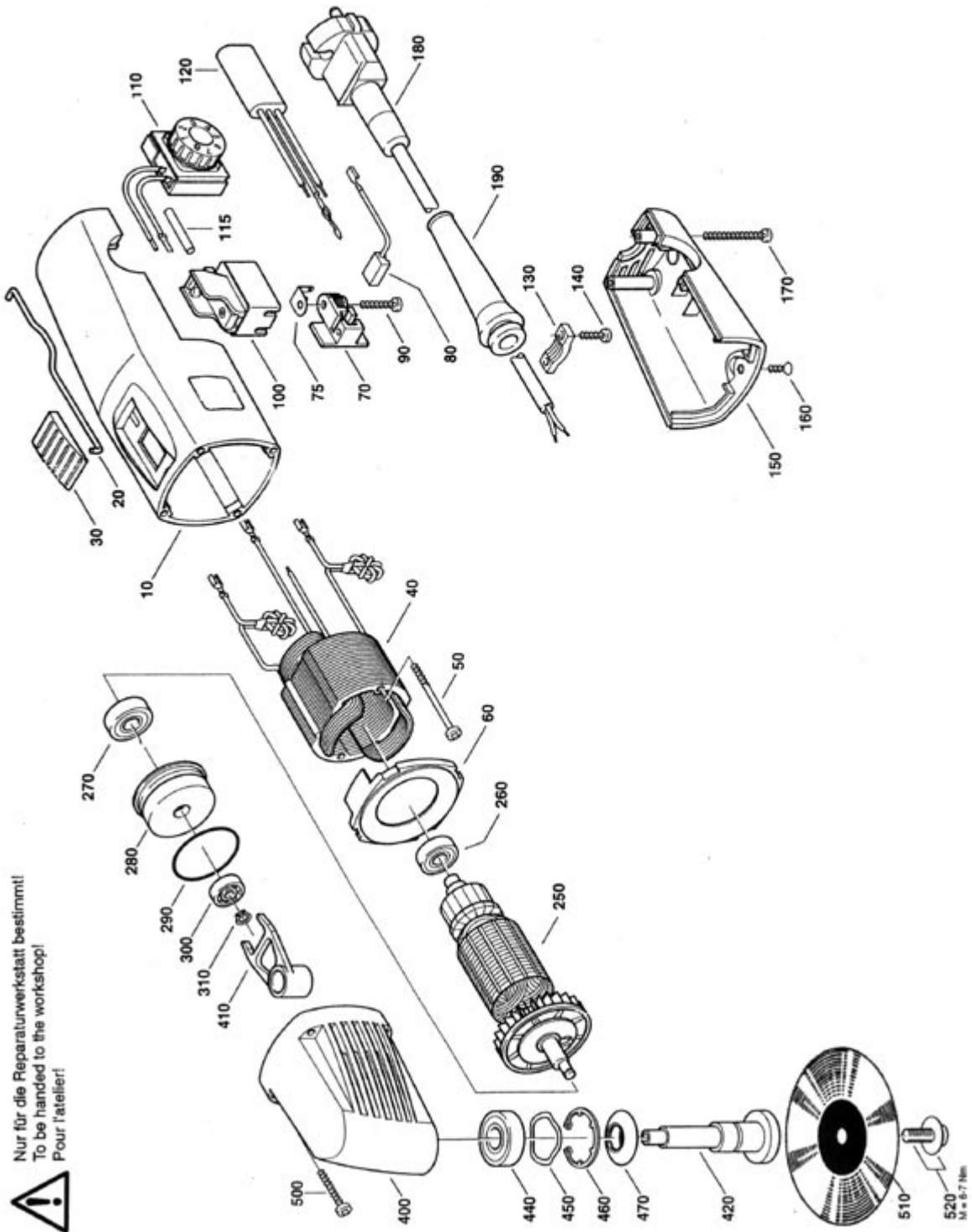
Technical data

Cat.-N°	SG-500-01
Voltage	230V/50Hz
Power	180 Watts
Power Input	0,8A
Strokes	12000-21000 /min
Noise, A-typical	70 dB(A)
Noise while sawing	>85dB(A)
Hand/Arm-Vibration	<2.5 m/s
Weight	1.1 Kg
Conformity	CE, DIN EN 60601-1,2
Safety Class	Class II safty isolated
Fuse	T 1,6A TR5

SCF

Teil-Nr. Part No.	Bestellnummer Order Reference	Anzahl Quantity
10	3 18 01 120 01 9	1
20	3 28 16 051 00 1	1
30	3 28 05 182 00 9	1
40	5 1 272 001 23 0 (230 V)	1
50	4 30 70 014 00 0	1
60	3 14 28 114 00 8	1
70	3 07 12 087 01 5	1
75	3 07 17 183 00 0	1
80	3 07 11 129 00 9	1
90	4 30 70 015 00 4	1
100	3 07 01 080 00 0	1
110	3 07 02 198 01 3	1
115	3 14 13 187 00 8	1
120	3 07 22 178 01 6	1
130	3 24 31 028 00 9	1
140	4 30 70 001 00 6	1
150	3 24 27 113 00 5	1
160	4 30 70 000 00 3	1
170	4 30 70 016 00 7	1
180	3 07 07 343 01 7	1
190	3 14 13 142 00 9	1
250	5 3 272 001 23 2 (230 V)	1
260	4 17 01 001 17 2	1
270	4 17 01 004 17 7	1
280	3 05 08 036 00 2	1
290	4 08 12 121 00 3	1
300	4 17 01 241 13 6	1
310	4 25 16 048 00 3	1
400-470	3 15 08 237 02 5	1
400	3 15 08 237 01 9	1
410	3 32 16 090 00 8	1
420	3 34 08 277 00 1	1
440	4 17 01 007 05 0	1
450	4 24 46 015 00 0	1
460	4 25 35 000 00 4	1
470	3 06 06 040 00 1	1
500	4 30 70 013 00 2	1
510	HB M8x1	1
520	4 30 33 062 06 2	1

SCF



SCF

Nur für die Reparaturwerkstatt bestimmt!
To be handed to the workshop!
Pour l'atelier!



Detail drawing